

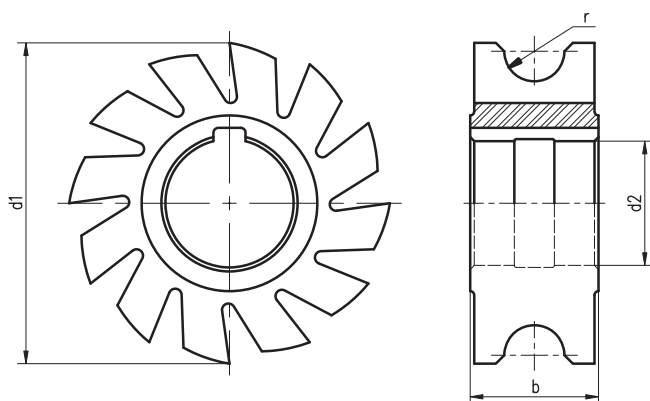
Fresa de perfil constante, semi-circular côncava, detalonada.
Form relieved concave cutter.



1381



r	d1	b	d2	Z
H11	js 16	mm	H7	
mm	mm		mm	
1	50	6	16	14
1,25	50	6	16	14
1,5	50	8	16	14
1,6	50	8	16	14
2	50	9	16	14
2,5	63	10	22	12
3	63	12	22	12
3,15	63	12	22	12
3,5	63	16	22	12
4	63	16	22	12
5	63	20	22	12
6	80	24	27	12
6,3	80	24	27	12
7	80	28	27	12
8	80	32	27	12
9	90	36	27	12
10	100	36	32	12
12	100	40	32	12
12,5	100	40	32	12
14	100	48	32	10
15	125	50	32	10
16	125	50	32	10
18	125	56	32	10
19	125	60	32	10
20	125	60	32	10



r	d1	b	d2	Z
H11	js 16	pol	H7	
pol	pol	pol	pol	
3/32	2 1/4	3/8	7/8	12
1/8	2 1/2	1/2	7/8	12
5/32	2 1/2	5/8	7/8	12
3/16	2 1/2	3/4	7/8	12
7/32	2 1/2	7/8	7/8	12
1/4	2 3/4	1	7/8	12
5/16	3	1 1/4	1	12
3/8	3 1/4	1 1/2	1	12
7/16	3 1/4	1 5/8	1	12
1/2	4	1 3/4	1	12
5/8	4 1/4	2 1/4	1 1/4	10
3/4	4 1/2	2 1/2	1 1/4	10
7/8	5	3	1 1/4	10

Dados de corte, ver página 138